

- KD-1350A KD-1350W KD-1350N
- KY-1350A KY-1350W KY-1350N

K-1350 Ice Kube Machine



- Easy access to food zone with removal of two screws and lift-off door
- High-tech exterior with smudge and fingerprint resistant stainless-like finish
- White plastics in the food zone help identify areas needing cleaning
- Water shield, distribution tube, pump, floats, and trough removable by hand
- Available CleanAir™ pack controls the growth of bacteria and fungi that form slime and cause odors in the food zone

WARRANTY:

Ice Maker: 3 year Parts & Labor
 Evaporator: 5 year Parts & Labor
 Compressor: 5 year Parts & 3 year Labor

K-1350
ICE KUBE MACHINE



HALF KUBE
 $\frac{3}{8}'' \times 1\frac{1}{8}'' \times \frac{7}{8}''$
 (.95 x 2.86 x 2.22 cm)

= 100%



KUBE
 $\frac{7}{8}'' \times \frac{7}{8}'' \times \frac{7}{8}''$
 (2.22 x 2.22 x 2.22 cm)

= 100%

Koolaire K-1350 Ice Kube Machine on a K970 Bin

KOOLAIRE®

by **Manitowoc**

2110 SOUTH 26TH ST | MANITOWOC, WI 54220 USA | 1-920-682-0161 | www.kool-aire.com

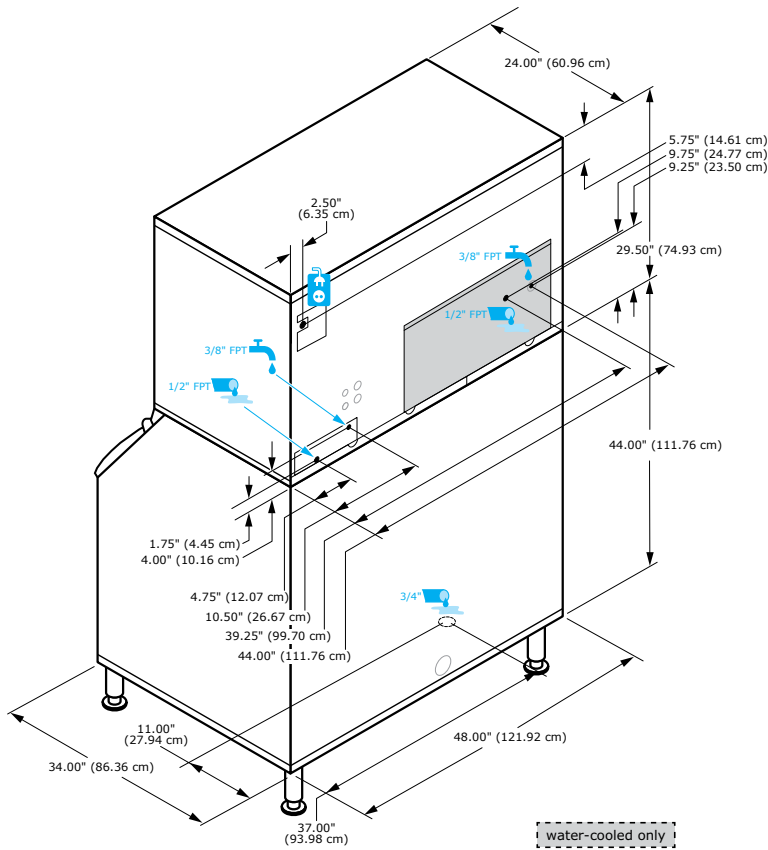


US LISTED



K-1350 ICE KUBE MACHINE

Model	Compressor	Ice Type	24h		[kWh/ 100 lbs ice]	[gal/100 lbs ice]
			70°/50°F 21°/10°C	90°/70°F 32°/21°C		
KD-1350A	Fan	8.5g	1491 lbs	1100 lbs	5.3	20.0
			676 kg	499 kg		
KY-1350A	Fan	5.7g	1539 lbs	1145 lbs	5.3	20.0
			698 kg	519 kg		
KD-1350W	Water	8.5g	1504 lbs	1200 lbs	4.1	20.0
			682 kg	544 kg		
KY-1350W	Water	5.7g	1509 lbs	1225 lbs	4.1	20.0
			684 kg	556 kg		
KD-1350N	Water	8.5g	1419 lbs	1190 lbs	5.0	20.0
			644 kg	540 kg		
KY-1350N	Water	5.7g	1470 lbs	1200 lbs	5.0	20.0
			667 kg	544 kg		



Water-cooled condenser water usage /100 lbs or 45.4 kgs. of ice: 160 gal/606 L.

Minimum	Maximum
35°F 1.7°C	110°F 43.3°C
35°F 1.7°C	90°F 32.2°C
20psi 138 kPa	80psi 551 kPa
18.2/13.6	A
18.2/13.6	
18.2/13.6	
30 Amp Single Phase 20 Amps 3 Phase	
296 lbs 134 kg	[Icon]
298 lbs 135 kg	
303 lbs 137 kg	

KOOLAIRE®

by **Manitowoc**

2110 SOUTH 26TH ST | MANITOWOC, WI 54220 USA | 1-920-682-0161 | www.kool-aire.com